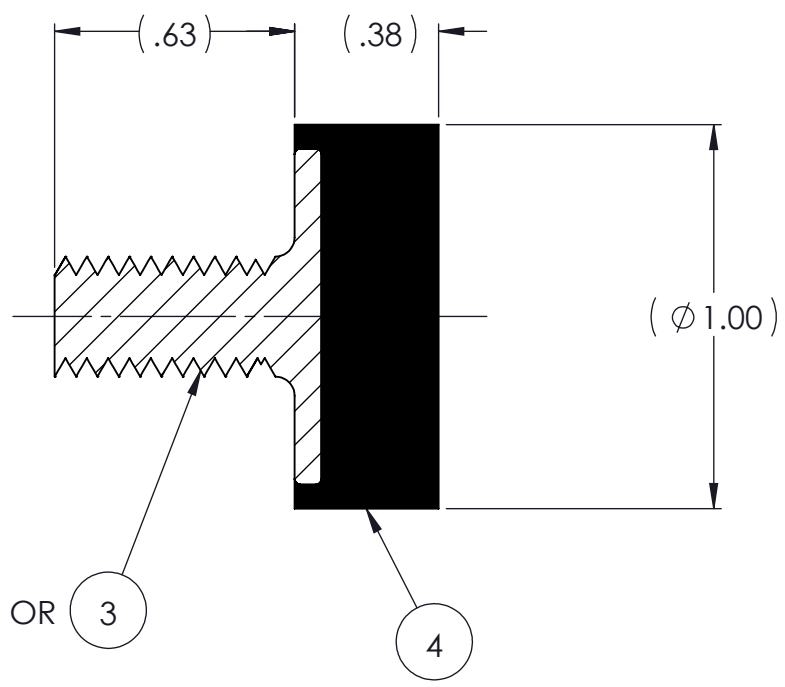
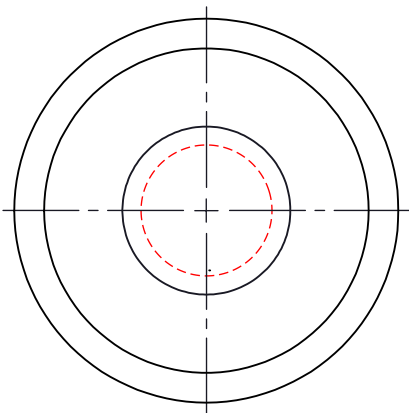
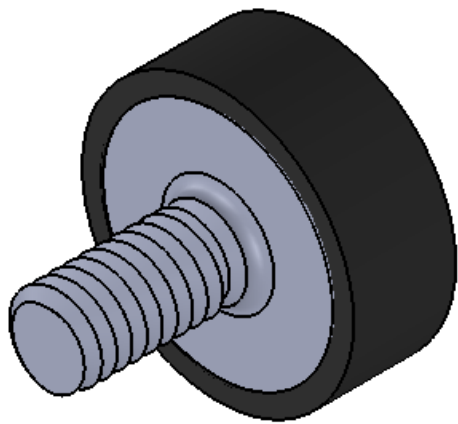


REVISIONS			
REV.	DESCRIPTION	DATE	APPROVED
1	INITIAL RELEASE OF DRAWING	6/5/2014	BS
2	ADD NOTE 3 AND REVISE PART NUMBERS IN BOM.	8/18/2014	BS



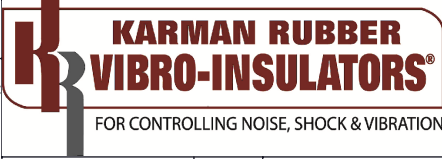
NOTES:

- 1 MATERIAL: ELASTOMER AND DUROMETER OF 40, 50, 60 OR 70 TO BE SPECIFIED.
- 2 ALL DIMENSIONS ARE REFERENCE.
- 3 AVAILABLE WITH THREADS OF 5/16-18 UNC X 5/8" AND M8 X 1.25 X 5/8".

AR	DESCRIPTION	PART NUMBER	MATERIAL OR NOTES	ITEM
	ELASTOMER	K854-4	1	4
1	MK400-M8-5/8	MK400-M8-5/8		3
1	MK400	MK400		2
	K854	K854		1

PROPRIETARY AND CONFIDENTIAL		SIGNATURE	DATE
THE INFORMATION CONTAINED IN THIS DRAWING IS THE SOLE PROPERTY OF KARMAN RUBBER. ANY REPRODUCTION IN PART OR AS A WHOLE WITHOUT THE WRITTEN PERMISSION OF KARMAN RUBBER IS PROHIBITED.	DRAWN	B. SENECAI	06/05/2014
	CHECK	S. BROWN	06/05/2014
	ENGR	B. SENECAI	06/05/2014
	QA		
	STRESS		
	APPR		

UNLESS OTHERWISE SPECIFIED:
 DIMENSIONS ARE IN INCHES
 TOLERANCES:
 .X =
 .XX = ± 0.031
 .XXX =
 ANGLES = ± 1°
 INTERPRET GEOMETRIC TOLERANCING PER: ASME Y14.5M-1994



TITLE: **K854 SERIES VIBRO-INSULATOR**
WWW.KARMAN.COM

SIZE	CAGE CODE	DWG. NO.	REV
B		K854	2
DO NOT SCALE DRAWING		SCALE: 2:1	WEIGHT: .70 OZ.
			SHEET 1 OF 1